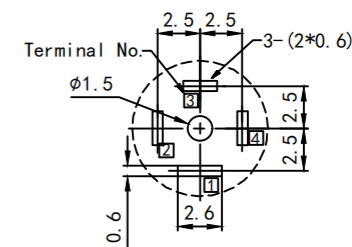


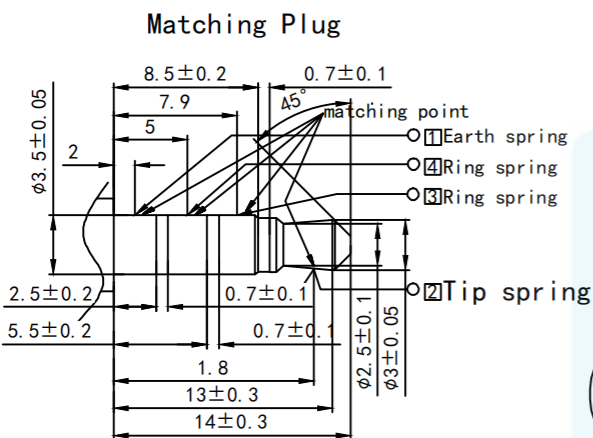
RoHS2.0  
Compliant

Specification:

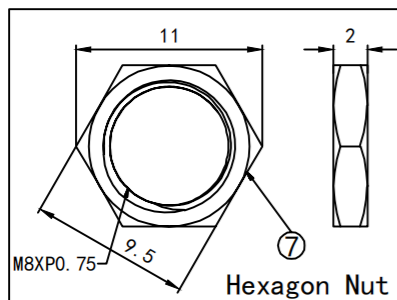
1. Rating: DC 30V 0.5A;
2. Contact resistance: <30mΩ; After test:<50mΩ
3. Insulation resistance: >100MΩ (500VDC); After test:>50MΩ
4. Withstand voltage: 500VAC
5. Insertion and extraction force: 3N~30N;
6. life test: 5000cycles min;
7. Operation temperature range: -20°C~70°C
8. Preservative temperature range: -40°C~85°C Sign" ▲ " is importance dimension.



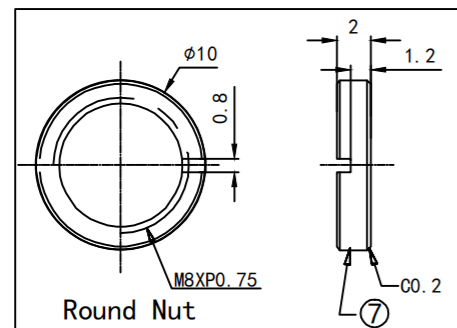
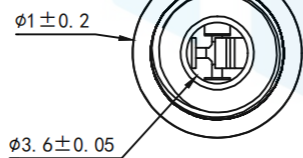
RECOMMENDED P. C. B LAYOUT  
UNSPECIFIED TOLERANCE: ±0.05  
(COPPER-SIDED VIEW)



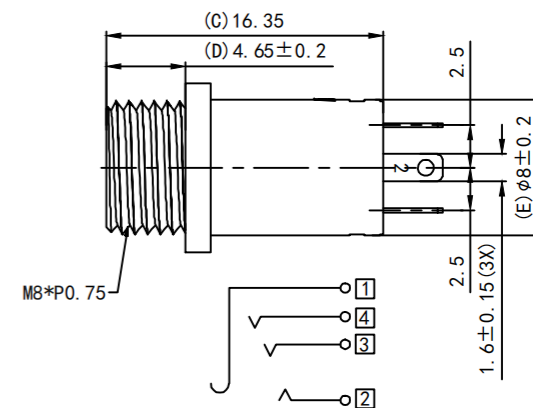
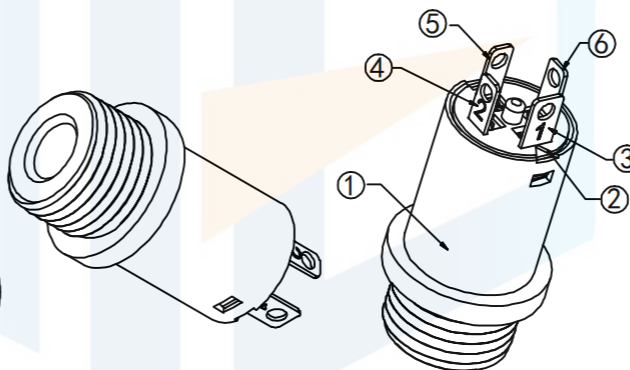
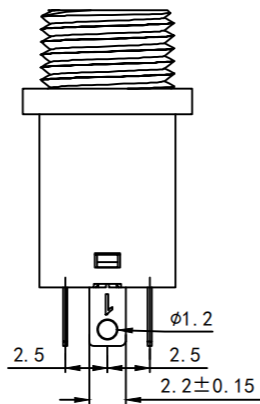
Matching Plug



Hexagon Nut



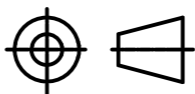
Round Nut



TOLERANCE

X. XXX	±0.05
X. XX	±0.15
X. X	±0.20
X.	±0.30
ANGLE	±5.0°

PROTECTON



东莞市恒祺电子科技有限公司  
Dongguan Hengqi Electronic Technology Co., Ltd

<https://www.hq-dz.com>

phone: 15812872448

TITLE:

耳机插座

PART NO: PJ-3164

DRAWING NO: 16.35\*8\*4.65

DRAWN:

DATE: 18-10-08

UNIT: mm

CHECKED:

DATE: 18-10-08

SCALE: FULL

APPROVED:

DATE: 18-10-08

SIZE: A4